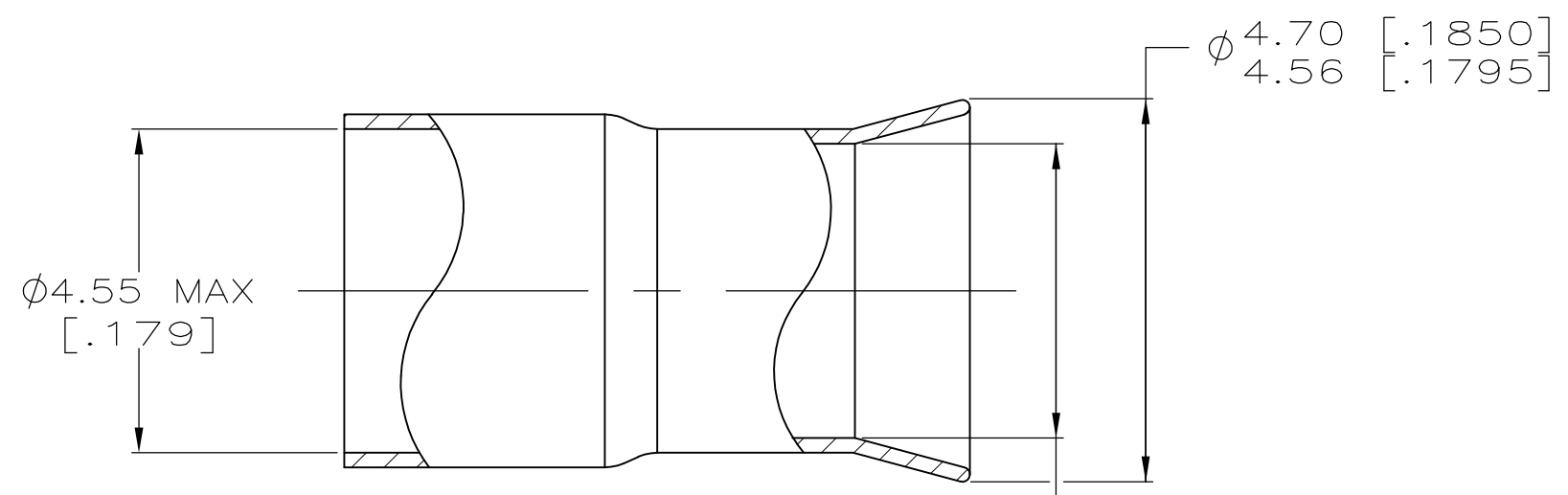
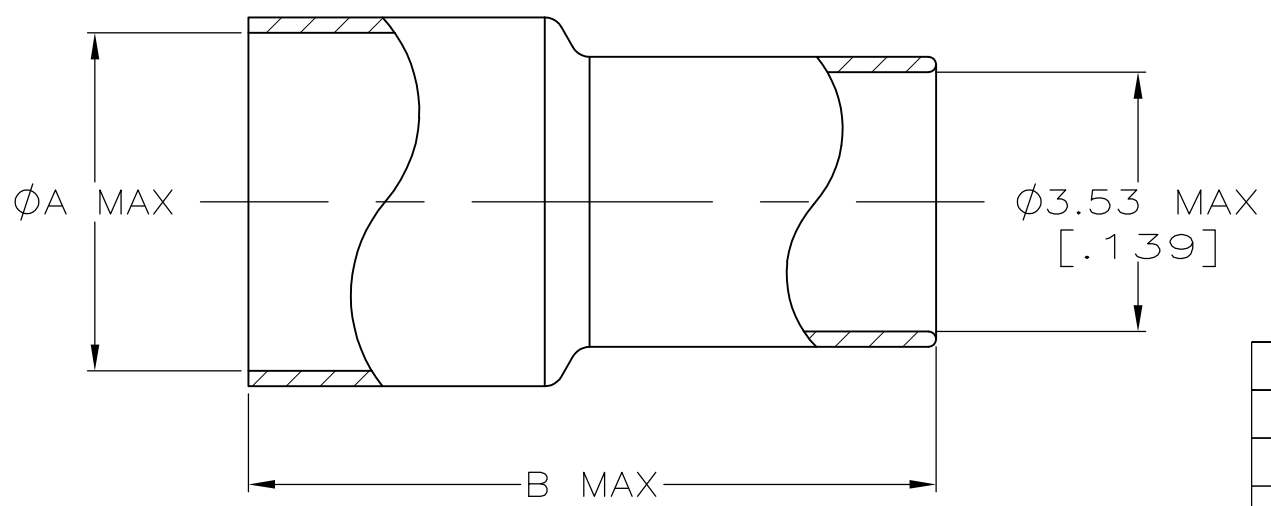


THIS DRAWING IS UNPUBLISHED. RELEASED FOR PUBLICATION  
 © COPYRIGHT BY TYCO ELECTRONICS CORPORATION. ALL RIGHTS RESERVED.

LOC	DIST	REVISIONS					
AJ	16	P	LTR	DESCRIPTION	DATE	DWN	APVD
			AL	REVISED PER ECO-10-008433	28MAY10	HMR	KW



VIEW X



VIEW Y

- 1. COPPER ALLOY
- 2. GOLD PLATE PER MIL-G-45204  
1.27μm [.000050] MIN THICKNESS
- 3. SILVER PLATE PER QQ-S-365,  
5.08μm [.000200] MIN THICKNESS
- 4. TIN-LEAD PLATE PER ASTM-B-545,  
2.54μm [.000100] MIN THICKNESS,  
WITH SUPPLEMENTAL ANTI FRETTING  
LUBRICANT.
- 5. TIN PLATE PER ASTM-B-545 WITH  
SUPPLEMENTAL ANTI-FRETTING  
LUBRICANT.

	5	9.22 [.363]	4.55 [.176]	Y	9-329049-1
	5	11.18 [.440]	4.75 [.187]	Y	9-329049-0
	2	8.76 [.345]	4.55 [.176]	X	3-329049-0
	4	11.18 [.440]	4.75 [.187]	Y	2-329049-9
	4	9.22 [.363]	4.55 [.176]	Y	2-329049-4
OBSOLETE	4	8.76 [.345]	4.55 [.176]	X	2-329049-3
	3	9.22 [.363]	4.55 [.176]	Y	2-329049-1
	3	8.76 [.345]	4.55 [.176]	X	329049
FINISH		B	A	VIEW	PART NUMBER

THIS DRAWING IS A CONTROLLED DOCUMENT.		DWN MICHAEL E. COWHER 16NOV95	Tyco Electronics Corporation Harrisburg, Pa 17105-3608	
DIMENSIONS: mm [INCHES]		CHK FRANK MORANA 16NOV95	NAME FERRULE, STEP DOWN	
TOLERANCES UNLESS OTHERWISE SPECIFIED:		APVD FRANK MORANA 16NOV95	SIZE A3	
0 PLC ± -		PRODUCT SPEC	CAGE CODE 00779	DRAWING NO C-329049
1 PLC ± -		APPLICATION SPEC	RESTRICTED TO	
2 PLC ± -		WEIGHT	SCALE 10:1	
3 PLC ± -			SHEET 1 OF 1	
4 PLC ± -			REV AL	
ANGLES ± -				
MATERIAL SEE NOTES	FINISH SEE NOTES	CUSTOMER DRAWING		